



CHAMPION VALVES INC

MODEL BVL™ LUG BODY BUTTERFLY VALVE

FEATURES

- The Model BVL resilient seated butterfly valve is available in Buna-N (standard), EPDM and Viton® configurations.
- A fully-lined elastomer seat provides complete isolation of the process media from the ductile iron valve body.
- 2" through 24" body sizes available in Class 150 ratings
- Lug-body design includes ISO 5211 mounting pad for international standard manual and automated operators.
- Threaded lug through holes allow valve to be easily bolted to corresponding flanges.
- Elastomer U-Cup seal packing gland provides superior leakage protection.
- All BVL resilient seated butterfly valves are thoroughly tested and inspected to meet our strict ISO 9001 system standards.

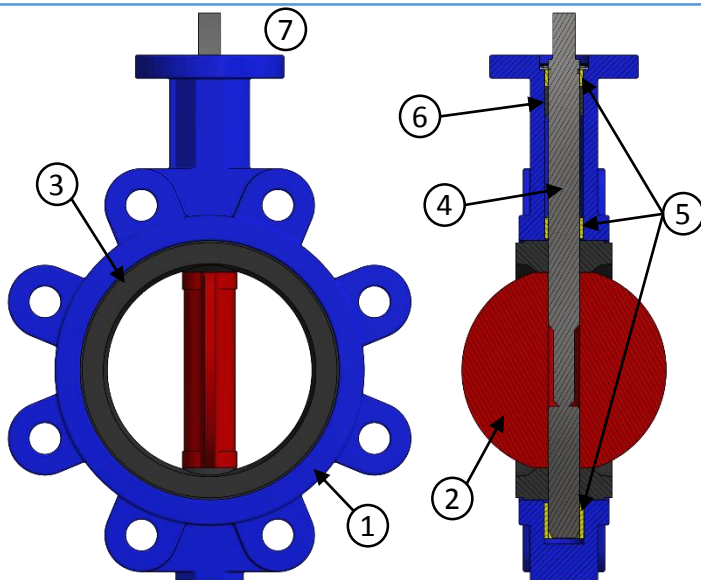


SELECTION CHART

Size	Body	Operator	Seat	Pressure Class
2" – 24"	Threaded Lug	Ten Position Lever Handle Hand Wheel	Resilient	150

PARTS DESCRIPTION

Standard Materials of Construction



Component	Material	Grade
(1) Body	Ductile Iron	ASTM A395 Gr. 60-40-18
(2) Disc	304 Stainless Steel	ASTM A351 Gr. CF8
(3) Seat	Buna-N	-
(4) Stem	410 Stainless Steel	ASTM A276
(5) Bushing	FRP	-
(6) U-Cup Seal	Buna-N	-
(7) Operator (Not Shown)	Malleable Iron	-Ten Position Lever Handle -Hand Wheel Design



CHAMPION VALVES INC

MODEL BVL™ LUG BODY BUTTERFLY VALVE

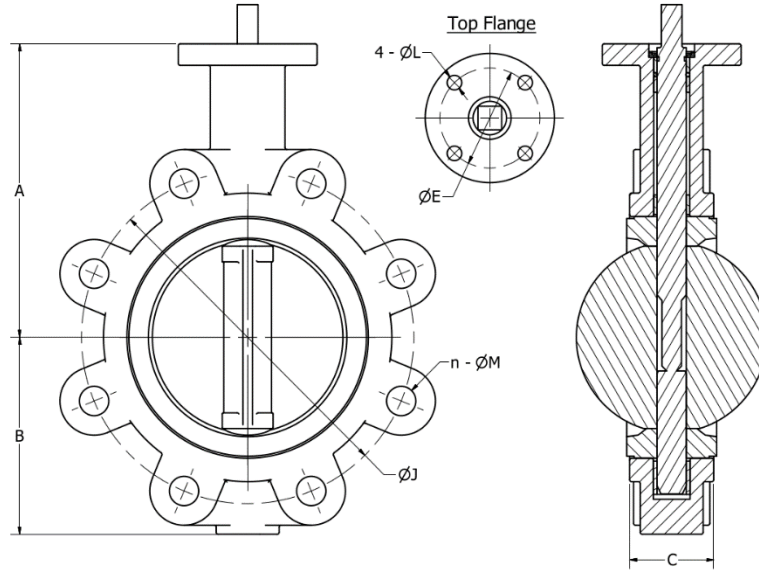
FIGURE NUMBER INFORMATION

Order Example: Specifications for 5" Champion Valves Model BVL Lug Body Butterfly Valve, ASME Class 150, Ductile Iron Body with 304 Stainless Steel Disc; Buna-N Seat; 410 Stainless Steel Stem with Pin

SIZE RANGE
2" through 24"
MODEL
BVL
PRESSURE CLASS
15 - Class 150
BODY MATERIAL
L - Ductile Iron, ASTM A395 Gr. 60-40-18
DISC MATERIAL
S - 316 Stainless Steel, ASTM A351 Gr. CF8M
T - 304 Stainless Steel, ASTM A351 Gr. CF8
U - Nickel Plated Ductile Iron, ASTM 536
SEAT MATERIAL
B - Buna-N
E - EPDM
V - Viton®
OPERATORS
1 - Ten Position Lever Handle
5 - Gear Operated Hand Wheel

SIZE	MODEL	PRESSURE CLASS		BODY	DISC	SEAT		OPERATORS
5	BVL	15	-	L	T	B	-	1

RATINGS AND DIMENSIONS



Class 150 Ductile Iron

Size	A		B		C		E		J		L		n-M		
in mm	in	mm	in	mm	in	mm	in	mm	in	mm	in	mm	in	mm	
2	50	5 1/2	140	3 1/8	80	1 11/16	43	2 3/4	70	4 3/4	120.7	7/16	10	4 - 3/4	4 - 19
2 1/2	65	5 15/16	150	3 1/2	89	1 13/16	46	2 3/4	70	5 1/2	139.7	7/16	10	4 - 3/4	4 - 19
3	80	6 1/4	158	3 3/4	95	1 13/16	46	2 3/4	70	6	152.4	7/16	10	4 - 3/4	4 - 19
4	100	6 15/16	176	4 1/2	114	2 1/16	52	2 3/4	70	7 1/2	190.5	7/16	10	8 - 3/4	8 - 19
5	125	7 1/2	190	5	127	2 3/16	56	2 3/4	70	8 1/2	215.9	7/16	10	8 - 7/8	8 - 22
6	150	8 3/8	212	5 1/2	139	2 3/16	56	2 3/4	70	9 1/2	241.3	7/16	10	8 - 7/8	8 - 22
8	200	9 1/4	235	6 7/8	175	2 3/8	60	4	102	11 3/4	298.5	1/2	12	8 - 7/8	8 - 22
10	250	10 7/16	265	8	203	2 11/16	68	4	102	14 1/4	362	1/2	12	12 - 1	12 - 25
12	300	12	305	9 9/16	242	3 1/16	78	4	102	17	431.8	1/2	12	12 - 1	12 - 25
14	350	14 5/16	363	10 1/2	267	3	76.5	4	102	18 3/4	476.3	1/2	12	12 - 1 1/8	12 - 29
16	400	15 3/4	400	12 3/16	309	4	102	5 1/2	140	21 1/4	539.8	3/4	18	16 - 1 1/8	16 - 29
18	450	16 5/8	422	13 3/8	340	4 1/2	114	5 1/2	140	22 3/4	577.9	3/4	18	16 - 1 1/8	16 - 29
20	500	17 5/16	440	14 3/16	362	5	127	5 1/2	140	25	635	3/4	18	20 - 1 1/4	20 - 32
24	600	22 1/4	565	17 13/16	452	6 1/16	154	6 1/2	165	29 1/2	749.3	7/8	22	20 - 1 3/8	20 - 35

QUALITY SYSTEM



Champion Valves, Inc. is dedicated to the goal of total quality management to provide industry-best products and services to our customers.



ORDER SYMBOL	SEAT	OPERATING TEMPERATURE			
		°C		°F	
		MIN	MAX	MIN	MAX
B	Buna-N	-57	120	-70	250
E	EPDM	-18	135	0	300
V	Viton®	-40	204	-40	400

Approximate dimensions. Apply for certified drawings.
Visit www.wafercheck.com for full range dimensional drawings.
Other Material options may be available. Consult factory for lead times.