



CHAMPION VALVES INC

MODEL SDX™
SINGLE DISC
WAFER CHECK VALVE
EXTERNAL SPRING

FEATURES

- **Inlet Port** – The angular shape of the inlet port accelerates the line media through the valve
- **Conical Disc** – The disc’s angle and convex profile allows fluid to travel faster around the disc, creating lift. The velocity above the disc is higher than the velocity below, which also creates lift.
- **External Spring Assembly** – May be provided in Right- or Left-Hand configuration



DESIGN

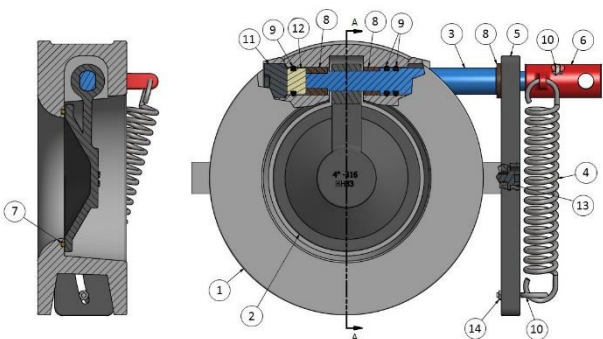
EXTERNAL SPRING

- The adjustable tension spring provides additional external force to assist closure. The spring arm provides a visual indication of disc position.
- Adjustable Spring tension setting capability, along with a full range of optional Spring torque ratings, provide the ability to fine tune cracking pressure and closing assistance for demanding applications.

SELECTION CHART

Size	Body	Disc	Seals	ASME Class
2" - 24"	316 SS (ASTM A351 CF8M)	316 SS	Integral Metal (except Ductile Iron)	150
	Carbon Steel (ASTM A216, Gr. WCB)	316 SS	Buna-N EPDM Viton®	
	Ductile Iron (ASTM A395 Gr. 60-40-18)	304 SS	Teflon® Others POA	

PARTS DESCRIPTION



Component	Material	Component	Material
(1) Body	DI or CS or 316 SS	(8) Bushing	Bronze
(2) Disc	304/316 SS	(9) O-Ring	Rubber
(3) Shaft	316 Stainless Steel	(10) Eye Bolt	Alloy Steel
(4) Spring	316 SS	(11) Plug	Ductile Iron
(5) Shaft Support	Ductile Iron	(12) Pin	Alloy Steel
(6) Bracket	Carbon Steel	(13) Nut	Stainless Steel
(7) Seat	Rubber	(14) Gasket	Nylon



CHAMPION VALVES INC

MODEL SDX™
SINGLE DISC
WAFER CHECK VALVE

FIGURE NUMBER INFORMATION

Order Example: Specifications for 10" Champion Valves Single Disc Wafer Check Valve Style SDX, ASME Class 150, 316 Stainless Steel Body with 316 Stainless Steel Disc; Buna-N Seat; 316 Stainless Steel Spring; Plain Face End Connection; Right-Hand External Spring & Weight

SIZE	MODEL	PRESSURE CLASS		BODY	DISC	SEAT	SPRING		END CONNECTION	ACCESSORY
10	SDX	15	-	S	S	B	S	-	P	2

ORDER SYMBOL	SIZE	BODY & DISC	B/D	ORDER SYMBOL	SPECIFICATION	ORDER SYMBOL	SPRING	OPERATING TEMPERATURE	
2	2"	Carbon Steel	B	C	ASTM A216 Gr. WCB	S	316 SS	°C	°F
3	3"	Ductile Iron	B	L	ASTM A395 Gr. 60-14-18			260	500
4	4"	316 Stainless Steel	B/D	S	ASTM A351 Gr. CF8M				
6	6"	304 Stainless Steel	D	T	ASTM A351 Gr. CF8				
8	8"								
10	10"								
12	12"								

ORDER SYMBOL	SEAT	OPERATING TEMPERATURE			
		°C		°F	
		MIN	MAX	MIN	MAX
B	Buna-N	-57	120	-70	250
E	EPDM	-18	135	0	300
H	Silicone	-40	204	-40	400
L	Stellite®	-40	204	-40	400
N	Neoprene®	-40	120	-40	250
P	Integral Metal	-40	204	-40	400
S	316 SS	-40	204	-40	400
T	Teflon®	-40	149	-40	300
V	Viton®	-40	204	-40	400

ORDER SYMBOL	END CONNECTION
P	Plain Face
R	Serrated Raised Face

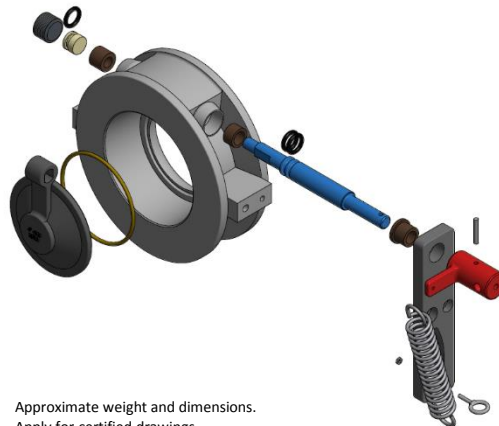
ORDER SYMBOL	ACCESSORY
1	Right-Hand External Spring
2	Right-Hand External Spring & Weight
3	Right-Hand External Spring & Lever
4	Left-Hand External Spring
5	Left-Hand External Spring & Weight
6	Left-Hand External Spring & Lever

ORDER SYMBOL	MODEL
SDX	Single Disc Wafer

PRESSURE CLASS	ORDER SYMBOL
150	15

RATINGS AND DIMENSIONS

Dimensions			
ID		Face to Face	
NPS/IN	DN/MM	IN	MM
2	50	1 ¾	44.5
3	80	2	50.8
4	100	2 ¼	57.2
6	150	2 ¾	69.9
8	200	2 ¾	73.0
10	250	3 ¼	79.4
12	300	3 ½	88.9



Approximate weight and dimensions. Apply for certified drawings

QUALITY SYSTEM

Champion Valves, Inc. is dedicated to the goal of total quality management to provide industry-best products and services to our customers.



CHAMPION VALVES INC™

P. O. Box 12901, WILMINGTON, NC 28405

PHONE: 910-794-5547

FAX: 910-794-5581

E-MAIL: SALES@WAFERCHECK.COM

WWW.WAFERCHECK.COM