



CHAMPION VALVES INC

MODEL BVW™ WAFER BODY BUTTERFLY VALVE

FEATURES

- The Model BVW resilient seated butterfly valve is available in Buna-N (standard), EPDM and Viton® configurations.
- A fully-lined elastomer seat provides complete isolation of the process media from the ductile iron valve body.
- All internal support hardware, including discs, braces and brackets are manufactured of corrosion-resistant stainless steel.
- 2" through 24" body sizes available in Class 150 ratings
- Wafer-style body design includes ISO 5211 mounting pad for international standard manual and automated operators.
- Fiber-Reinforced Plastic shaft bushing provides superior leakage protection.
- All BVW resilient seated butterfly valves are thoroughly tested and inspected to meet our strict ISO 9001 system standards.

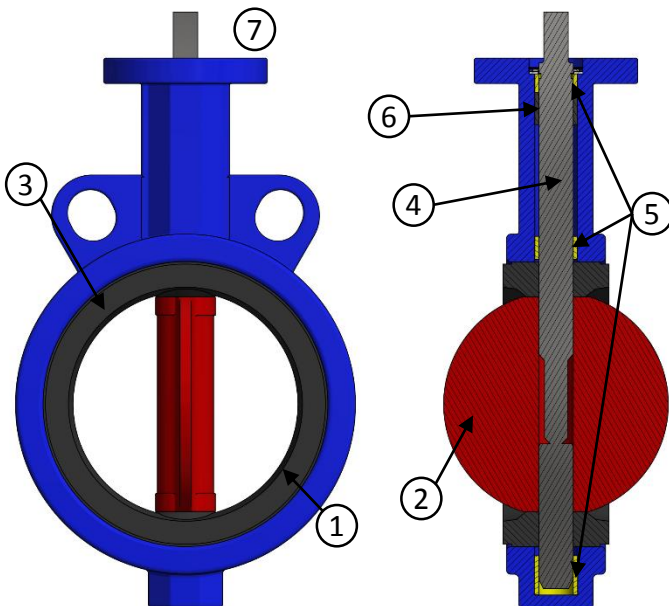


SELECTION CHART

Size	Body	Operator	Seat	Pressure Class
2" – 24"	Wafer Style	Ten Position Lever Handle Hand Wheel	Resilient	150

PARTS DESCRIPTION

Standard Materials of Construction



Component	Material	Grade
(1) Body	Ductile Iron	ASTM A395 Gr. 60-40-18
(2) Disc	304 Stainless Steel	ASTM A351 Gr. CF8
(3) Seat	Buna-N	-
(4) Stem	410 Stainless Steel	ASTM A276
(5) Bushing	FRP	-
(6) U-Cup Seal	Buna-N	-
(7) Operator (Not Shown)	Malleable Iron	Ten Position Lever Handle Hand Wheel Design



CHAMPION VALVES INC

MODEL BVW™ WAFER BODY BUTTERFLY VALVE

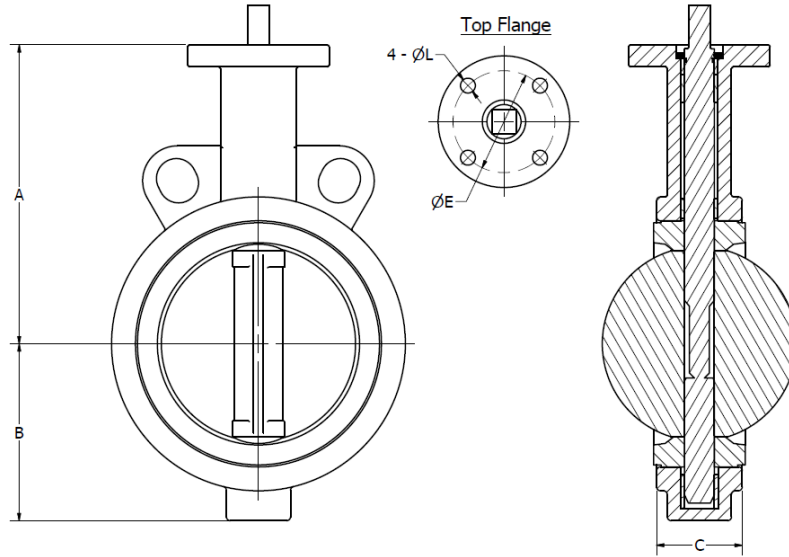
FIGURE NUMBER INFORMATION

Order Example: Specifications for 5" Champion Valves Model BVW Wafer-Style Body Butterfly Valve, ASME Class 150, Ductile Iron Body with 304 Stainless Steel Disc; Buna-N Seat; 410 Stainless Steel Stem with Pin, PTFE Bushing

SIZE RANGE
1 1/2" through 24"
MODEL
BVW
PRESSURE CLASS
15 - Class 150
BODY MATERIAL
L - Ductile Iron, ASTM A395 Gr. 60-40-18
DISC MATERIAL
A- Aluminum Bronze, ASTM B148-954
C- Carbon Steel, ASTM A216 Gr. WCB
S - 316 Stainless Steel, ASTM A351 Gr. CF8M
T - 304 Stainless Steel, ASTM A351 Gr. CF8
U - Nickel Plated Ductile Iron, ASTM 536
SEAT MATERIAL
B - Buna-N
E - EPDM
N - Neoprene
T - PTFE
V - Viton®
OPERATORS
1 - Ten Position Lever Handle
5 - Gear Operated Hand Wheel

SIZE	MODEL	PRESSURE CLASS		BODY	DISC	SEAT		OPERATORS
5	BVW	15	-	L	T	B	-	1

RATINGS AND DIMENSIONS



Class 150 Ductile Iron

Size	A		B		C		E		L		
	in	mm	in	mm	in	mm	in	mm	in	mm	
2	50	5 1/2	140	2 13/32	61	2 3/4	70	2 3/4	70	13/32	10
2 1/2	65	5 29/32	150	2 11/16	68	2 3/4	70	2 3/4	70	13/32	10
3	80	6 7/32	158	3	76	1 13/16	46	2 3/4	70	13/32	10
4	100	6 15/16	176	3 5/8	92	2 1/16	52	2 3/4	70	13/32	10
5	125	7 15/32	190	4 7/32	107	2 7/32	56	2 3/4	70	13/32	10
6	150	8 5/16	212	4 23/32	120	2 7/32	56	2 3/4	70	13/32	10
8	200	9 1/4	235	5 15/16	151	2 3/8	60	4 1/32	102	15/32	12
10	250	10 7/16	265	7 11/32	186	2 11/16	68	4 1/32	102	15/32	12
12	300	12	305	8 5/16	211	3 1/16	78	4 1/32	102	15/32	12
14	350	14 1/2	368	10 17/32	267	3 1/16	78	5 17/32	140	15/32	12
16	400	15 3/4	400	12 3/16	309	4 1/32	102	5 17/32	140	23/32	18
18	450	16 5/8	422	13 13/32	340	4 1/2	114	5 17/32	140	23/32	18
20	500	17 11/32	440	14 1/4	362	5	127	5 17/32	140	23/32	18
24	600	22 1/4	565	17 13/16	452	6 1/16	154	6 1/2	165	7/8	22

QUALITY SYSTEM



Champion Valves, Inc. is dedicated to the goal of total quality management to provide industry-best products and services to our customers.



ORDER SYMBOL	SEAT	OPERATING TEMPERATURE			
		°C		°F	
		MIN	MAX	MIN	MAX
B	Buna-N	-57	120	-70	250
E	EPDM	-18	135	0	300
N	Neoprene	-40	120	-40	250
V	Viton®	-40	204	-40	400

Approximate weights and dimensions. Apply for certified drawings. Visit www.wafercheck.com for full range dimensional drawings. Other Material options may be available. Consult factory for lead times.